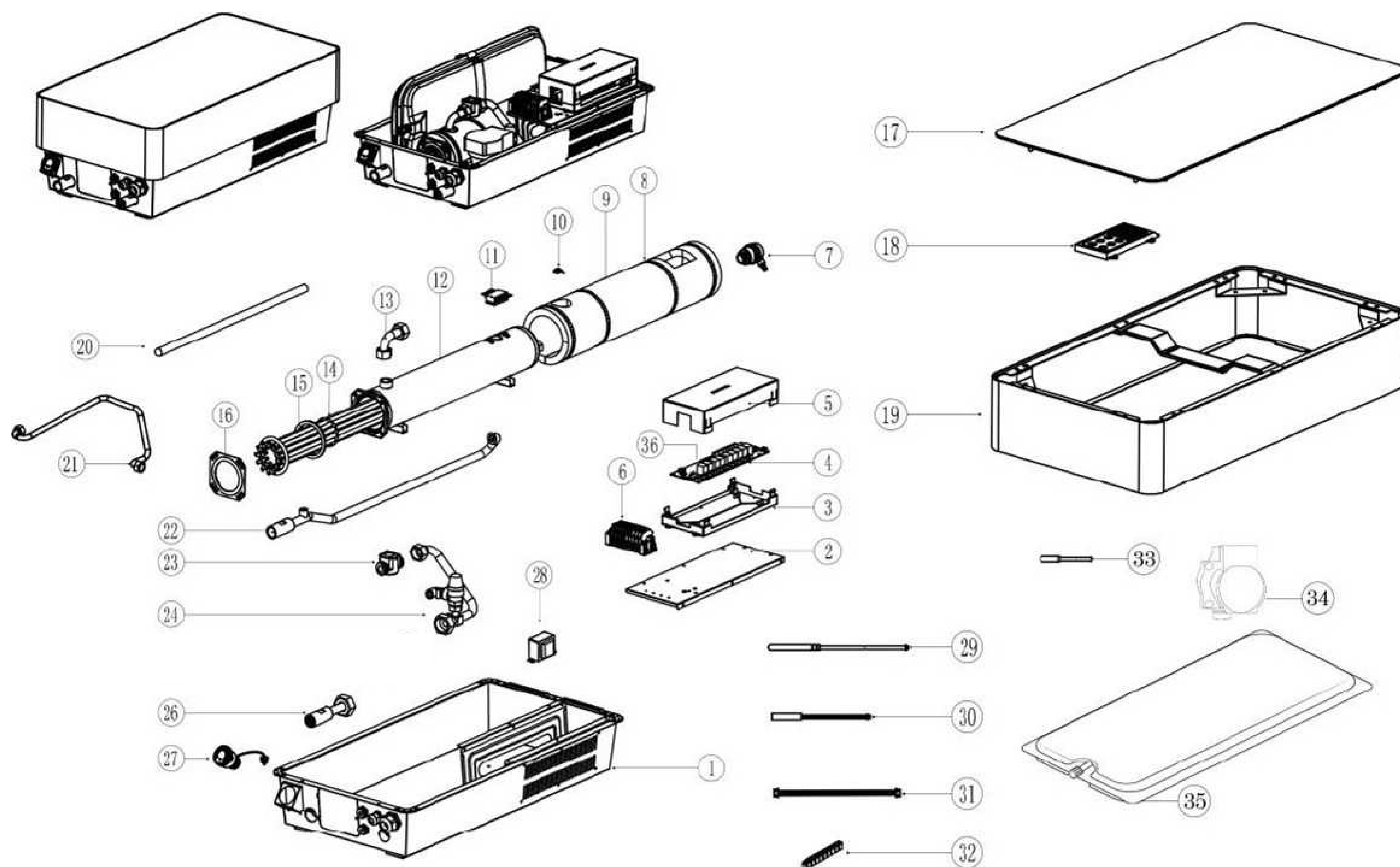


List of spare parts



# in EX	Parts code	English
1	ED03-1	Boiler base assemble
2	ED03-2	Supporting board
3	ED03-3	Mother board base
4.1.	ED03-4/1	Mother board 4,5/6/7,5/9
4.2.	ED03-4/2	Mother board 12/15
4.3.	ED03-4/3	Mother board 18/21/24
5	ED03-5	Mother board cover box
6	ED03-6	Terminal blocks assemble
7	ED03-7	Exhausting valve
8	ED03-8	Foam tie
9.1.	ED03-9/1	DB03 Heating insulation foam 4,5/7,5/9/12/15/18
9.2.	ED03-9/2	DB03 Heating insulation foam 21/24
10	ED03-10	Water temperature sensor
11	ED03-11	Triple phases thermostat
12.1.	ED03-12/1	DB03 Stainless Stell Tank 4,5/7,5/9/12/15/18
12.2.	ED03-12/2	DB04 Stainless Stell Tank 21 /24
13	ED03-13	Inlet pipe connection
14.1.	ED03-14/1	DB03 Heating tube 4,5
14.2.	ED03-14/2	DB03 Heating tube 6
14.3.	ED03-14/3	DB03 Heating tube 7,5
14.4.	ED03-14/4	DB03 Heating tube 9
14.5.	ED03-14/5	DB03 Heating tube 12
14.6.	ED03-14/6	DB03 Heating tube 15

# in EX	Parts code	English
14.7.	ED03-14/7	DB03 Heating tube 18
14.8.	ED03-14/8	DB03 Heating tube 21
14.9.	ED03-14/9	DB03 Heating tube 24
15.	ED03-15	Tank seal ring
16.	ED03-16	Tank pressing board
17.	ED03-17	Glass panel assemble
18.	ED03-18	Control board assemble
19.	ED03-19	Aluminium frame assemble
20.	ED03-20	Valve outlet pipe
21.	ED03-21	Expansion tank connection pipe
22.	ED03-22	Outlet pipe
23.	ED03-23	Water flow sensor
24.	ED03-24	Safety valve assemble
26.	ED03-26	Inlet pipe
27.	ED03-27	Water pressure gauge
28.	ED03-28	Transformer
29.	ED03-29	Heat storage temperature sensor
30.	ED03-30	Air temperutare sensor
31.	ED03-31	Control board connecting line
32.	ED03-32	Jumper
33.	ED03-33	Pump connection
34.	ED03-34	Pump
35.	ED03-35	Expansion tank
36.	ED03-36	Wi-fi module